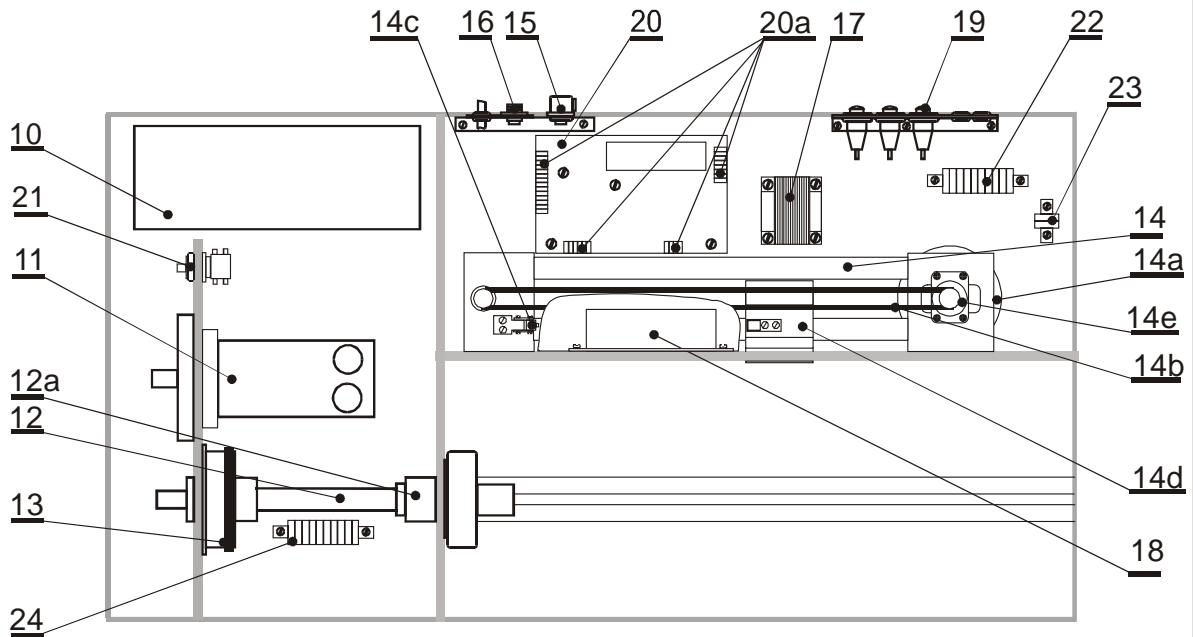




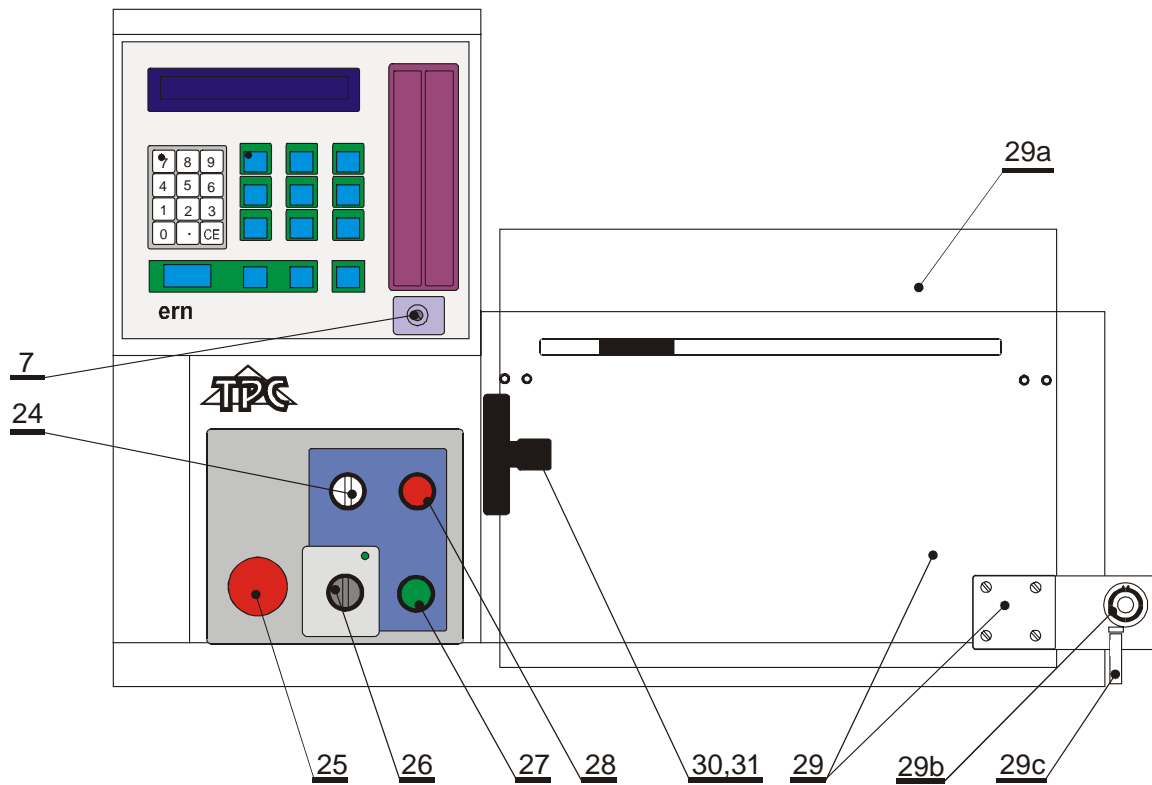
# SPARE PARTS ERN 22



- |                                |   |
|--------------------------------|---|
| 10. AC servo amplifier         | Seidel digifas 7204                                 |
| 11. Servomotor                 | SBL 3 0250-45-310 TOPS 1                            |
| 12. Spindle                    | TA 020 52   |
| 12a. Ball bearing              | 6003 2ZR P6C6                                       |
| 13. Brake                      | Lenze 24V11,5W d=17                                 |
| 14. Wire guide unit            | TF 000 08   |
| 14a. Step motor                | Vexta PK268- 02A                                    |
| 14b. Timing belt               | 138 teeth/12mm                                      |
| 14c. Microswitch               | WN 559 00   |
| 14d. Ball bearing of wagon     | 625 2ZR P6  |
| 14e. Ball bearing of spindle   | 6001 AZR  |
| 15. Connector for foot- pedal  | HARTING   |
| 16. Connector for aux.function | WK 462 48   |
| 17. Mains transformer          | ST15/02   |
| 18. Mains filter               | RWMO C21 02 U 19                                    |
| 19. Fuse case                  | SI-HA 125000  |
| 20. Stepper motor driver       | TK 000 30   |
| 20a. Connector                 | BLA4, BLA6, BLA8, BLA14,<br>SLA4, SLA6, SLA8, SLA14 |
| 21. Gear switch                | T10 B BI P  |
| 22. Connector                  | TA 021 94   |
| 23. Connector                  | TA 021 95   |
| 24. Connector                  | TA 021 93   |



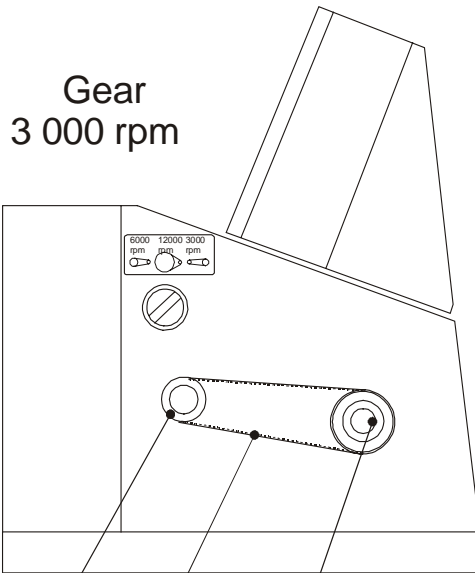
# SPARE PARTS ERN 22



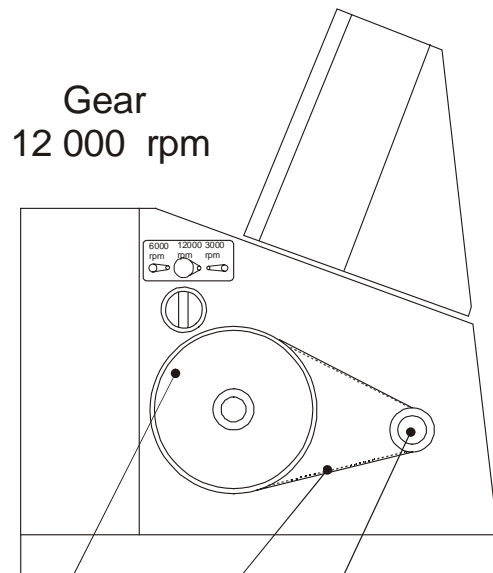
- |   |            |
|---|------------|
| 7. Key switch                               | KS 402     |
| 24. Brake switch                            | ZB2-BK127  |
| 25. Emergency stop                          | XB2-BS 542 |
| 26. Stand-by switch                         | XB-BD21    |
| 27. Start - button                          | 14.435.036 |
| 28. Stop - button                           | 14.435.036 |
| 29. Protection shield                       | TF 001 11  |
| 29a. Shield                                 | TA 003 65  |
| 29b. Spring                                 | TA 009 62  |
| 29c. Magnetic switch                        | TA 022 82  |
| 30. Spindle collet chuck $\varnothing$ 10mm | TA 004 40  |
| Spindle collet chuck $\varnothing$ 8mm      | TA 004 78  |
| 31. Nut                                     | TA 004 38  |



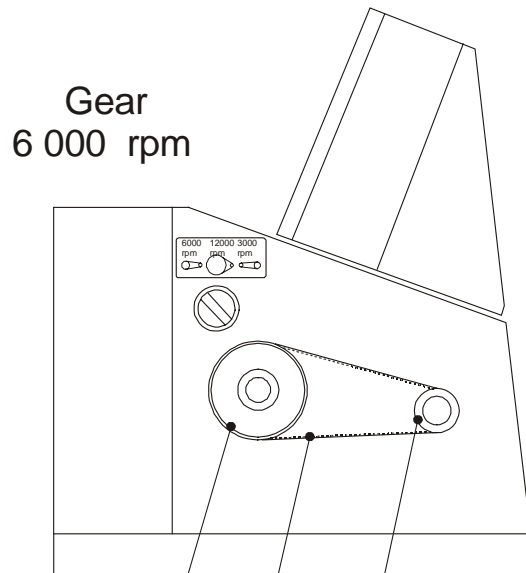
## SPARE PARTS ERN 22



37   41   39



36   40   37

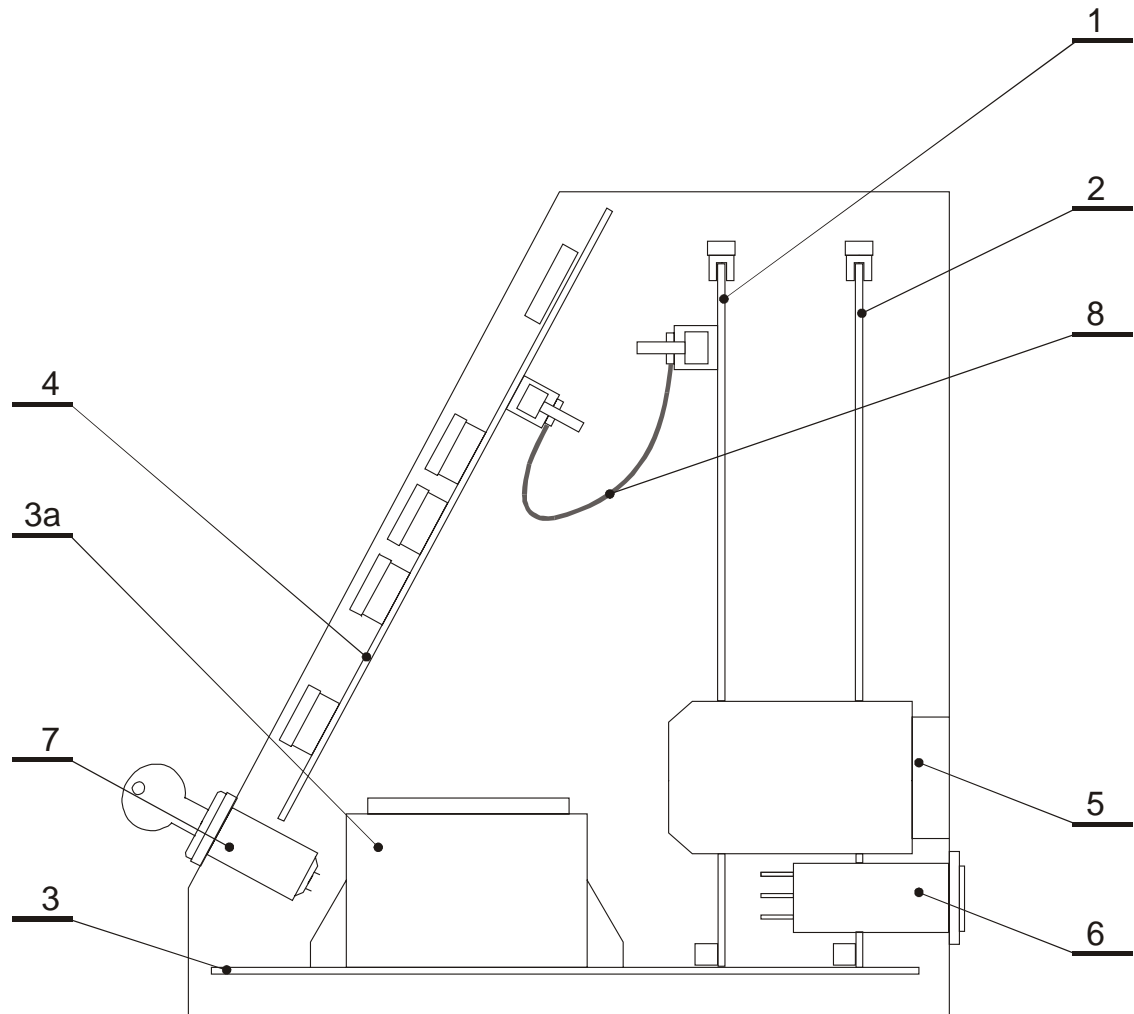


38   41   37

- 36. Timing gear TA 020 90 / 64 teeth /
- 37. Timing gear TA 020 88 / 20 teeth /
- 38. Timing gear TA 000 89 / 32 teeth /
- 39. Timing gear TA 020 87 / 25 teeth /
- 40. Timing belt ZR-210XL / 105 teeth/9,5mm /
- 41. Timing belt ZR-160XL / 80 teeth/9,5mm /



# SPARE PARTS ERN 22



- |                                  |               |
|----------------------------------|---------------|
| 1. PCB 1.                        | TK 000 27     |
| 2. PCB 2.                        | TK 000 34     |
| 3. Backplane                     | TK 000 33     |
| 3a. Mains transformer            | ST 05         |
| 4. PCB with display and keyboard | TK 000 19     |
| 5. Overvoltage protection filter | EGU           |
| 6. Mains filter                  | ETI 39.19.160 |
| 7. Key switch                    | E 003524      |
| 8. Connector cable               | AWG 28 - 34   |