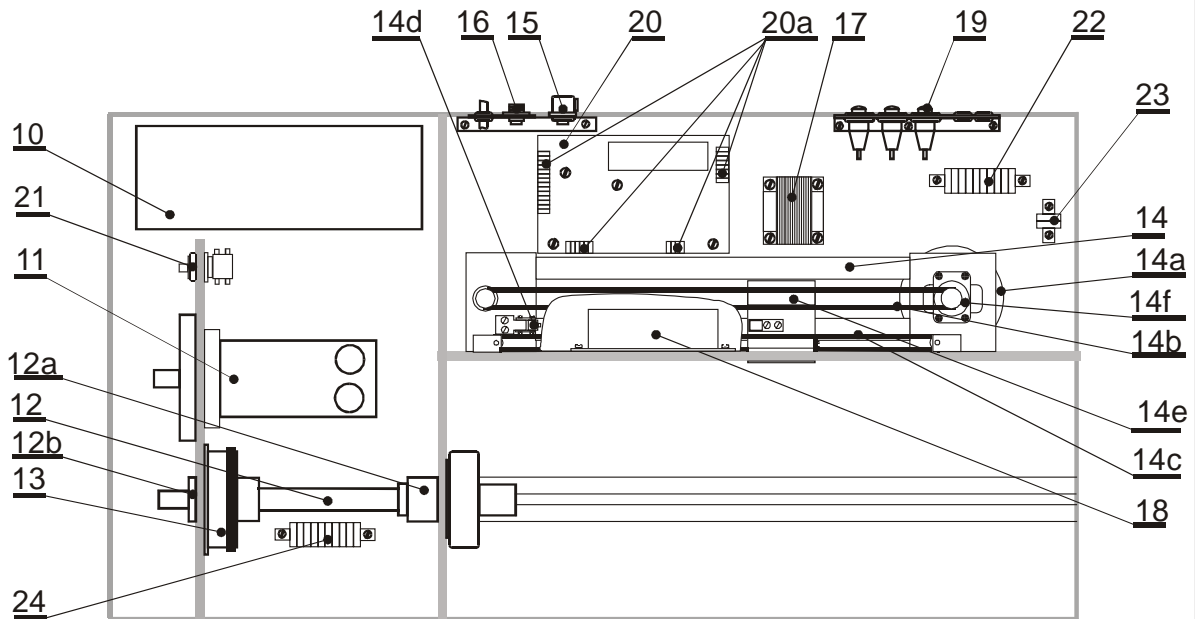




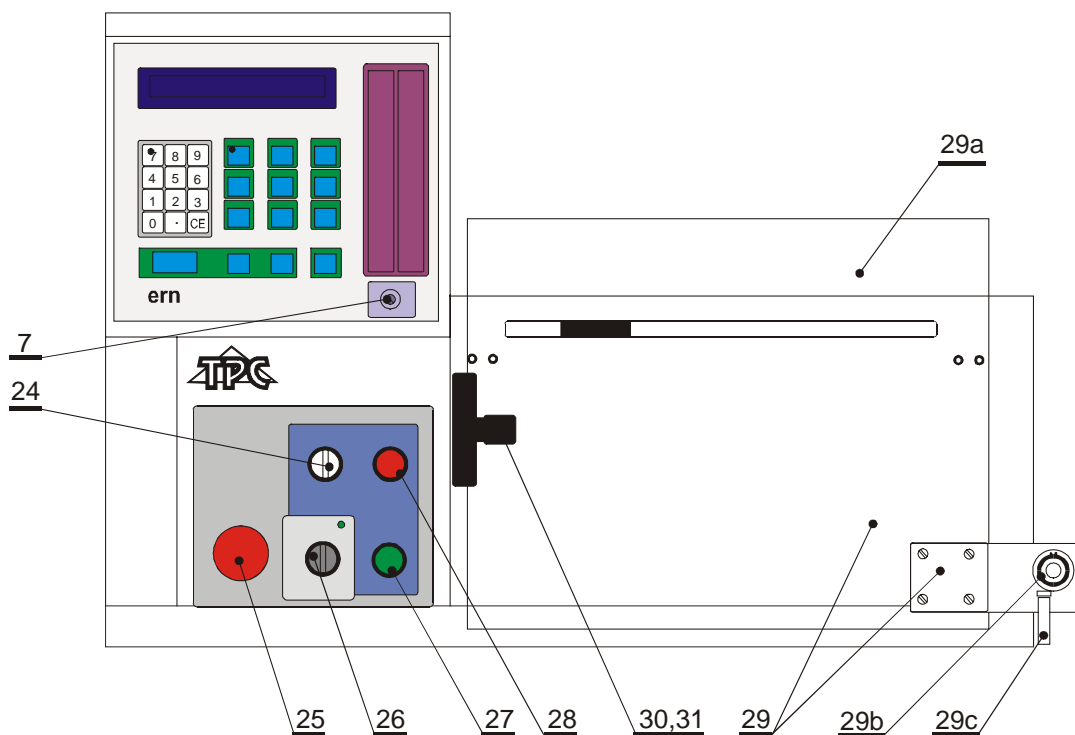
SPARE PARTS ERN 32



- | | |
|--------------------------------|---|
| 10. AC servo amplifier | Seidel digifas 7204 |
| 11. Servomotor | SBL 3 0250-45-310TOPS 31 |
| 12. Spindle | TA 007 30 |
| 12a. Ball bearing | S6204 CTA ABC7 DUL 85N |
| 12b. Ball bearing | 6204 P66 |
| 13. Brake | Lenze 24V21W d=20H7 |
| 14. Wire guide unit | TF 000 52 |
| 14a. Step motor | Vexta PK2913-E4.0b |
| 14b. Timing belt | 198 teeth/20mm |
| 14c. Textile band | 2x20x1000 |
| 14d. Microswitch | WN 559 00 |
| 14e. Ball bearing of wagon | 608 2ZRP6 |
| 14f. Ball bearing of spindle | 6001 AZR |
| 15. Connector for foot-pedal | HARTING |
| 16. Connector for aux.function | WK 462 48 |
| 17. Mains transformer | ST 01/03 |
| 18. Mains filter | RWMO L 0063U22 |
| 19. Fuse case | SI-HA 125000 |
| 20. Stepper motor driver | TK 000 30 |
| 20a. Connector | BLA4, BLA6, BLA8, BLA14,
SLA4, SLA6, SLA8, SLA14 |
| 21. Gear switch | T10 B BI P |
| 22. Connector | TA 021 94 |
| 23. Connector | TA 021 95 |
| 24. Connector | TA 021 93 |



SPARE PARTS ERN 32



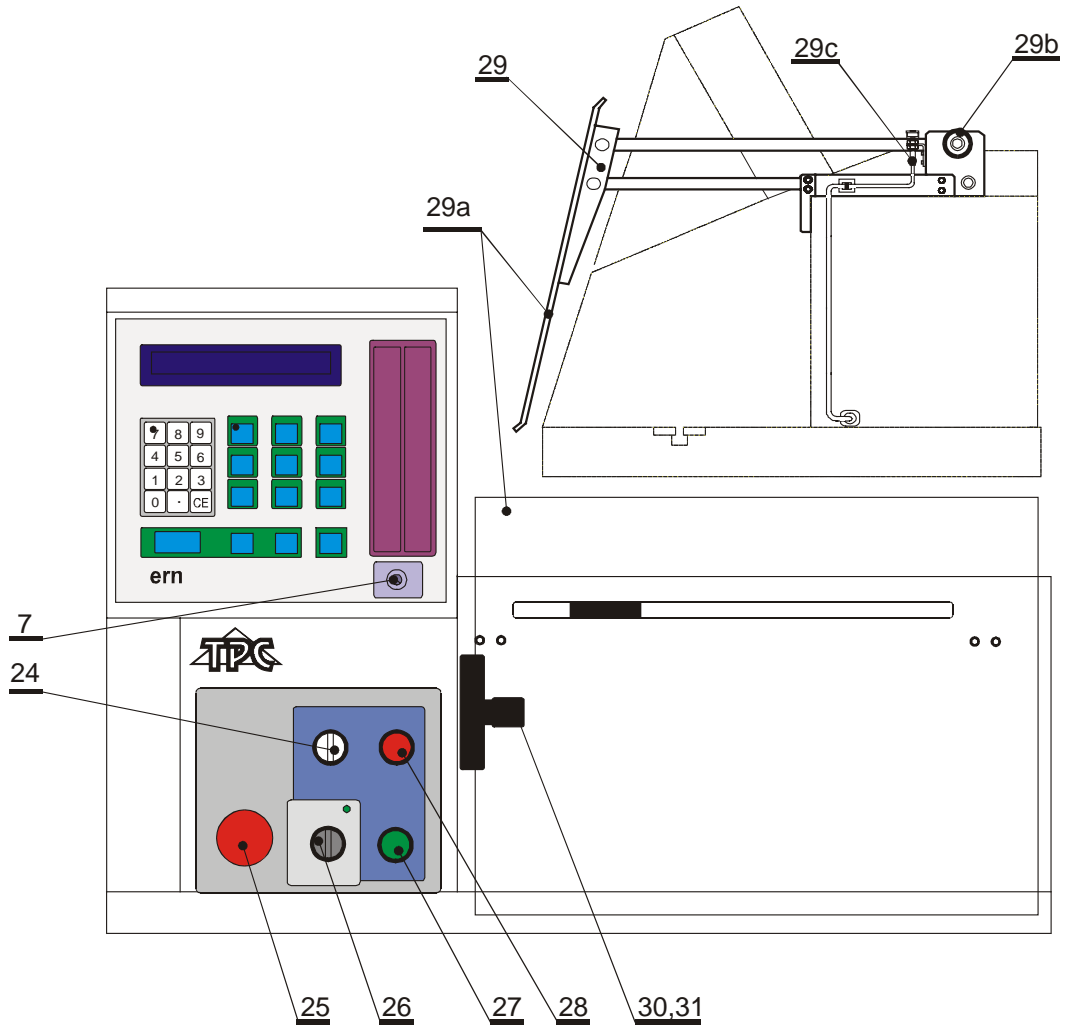
- | | | | |
|-----|----------------------|---------|------------|
| 7. | Key switch | | KS 402 |
| 24. | Brake switch | | ZB2-BK127 |
| 25. | Emergency stop | | XB2-BS 542 |
| 26. | Stand-by switch | | XB-BD21 |
| 27. | Start - button | | 14.435.036 |
| 28. | Stop - button | | 14.435.036 |
| 29. | Protection shield | | TF 001 12 |
| | 29a. Shield | | TA 023 08 |
| | 29b. Spring | | TA 009 62 |
| | 29c. Magnetic switch | | TA 022 82 |
| 30. | Spindle collet chuck | ∅ 10 mm | TA 013 23 |
| | Spindle collet chuck | ∅ 12 mm | TA 007 31 |
| 31. | Nut | | TA 007 37 |

/

/



SPARE PARTS ERN 32

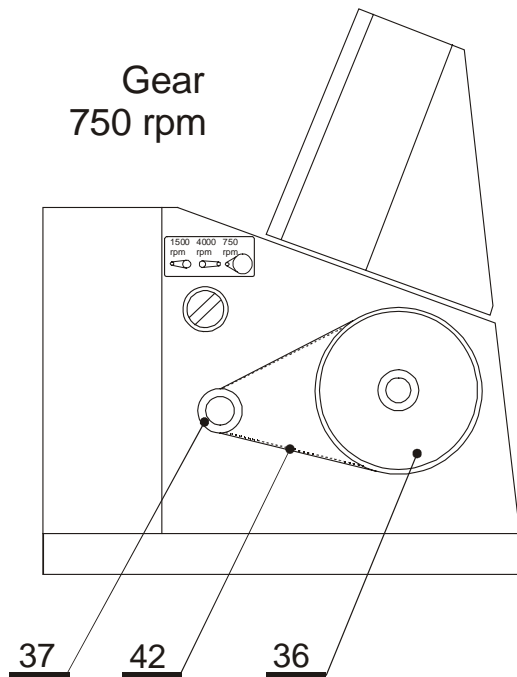


- | | | |
|------|--|------------|
| 7. | Key switch | KS 402 |
| 24. | Brake switch | ZB2-BK127 |
| 25. | Emergency stop | XB2-BS 542 |
| 26. | Stand - by switch | XB-BD21 |
| 27. | Start - button | 14.435.036 |
| 28. | Stop - button | 14.435.036 |
| 29. | Protection shield | TF 000 95 |
| 29a. | Shield | TA 021 42 |
| 29b. | Spring | No 12 |
| 29c. | Magnetic switch | TA 022 82 |
| 30. | Spindle collet chuck \varnothing 10 mm | TA 013 23 |
| | Spindle collet chuck \varnothing 12mm | TA 007 31 |
| 31. | Nut | TA 007 37 |

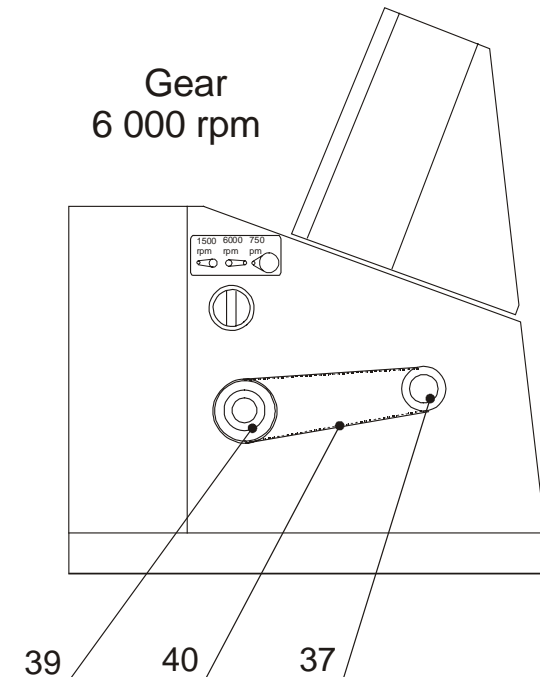


SPARE PARTS ERN 32

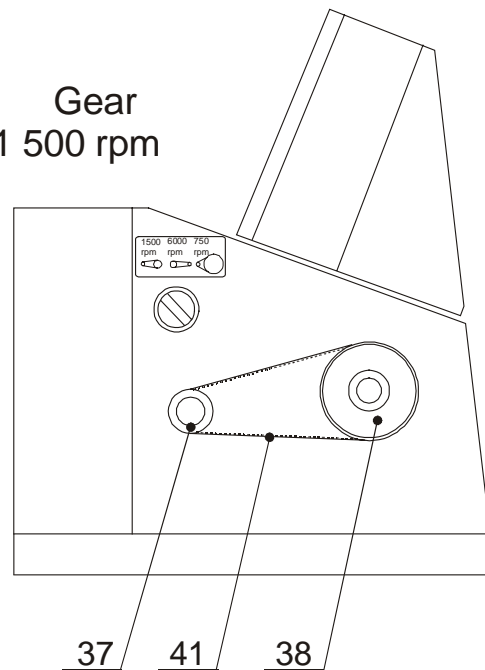
Gear
750 rpm



Gear
6 000 rpm



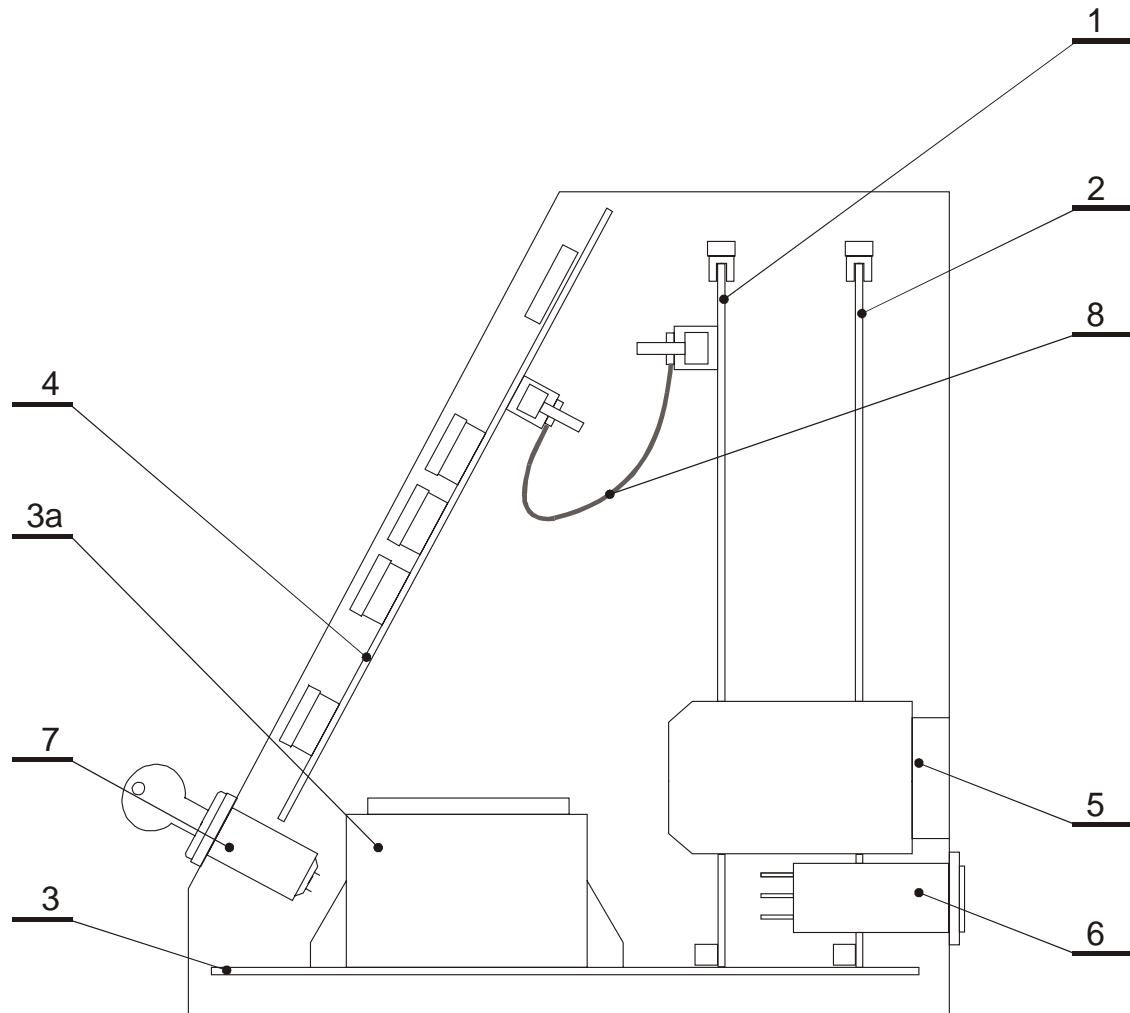
Gear
1 500 rpm



- 36. Timing gear TA 007 29 / 100 teeth /
- 37. Timing gear TA 007 26 / 20 teeth /
- 38. Timing gear TA 007 28 / 50 teeth /
- 39. Timing gear TA 007 27 / 32 teeth /
- 40. Timing belt 042 012 / 100 teeth/12mm /
- 41. Timing belt 046 019 / 100 teeth/19mm /
- 42. Timing belt 046 019 / 138 teeth/19mm /



SPARE PARTS ERN 32



- 1. PCB 1.
- 2. PCB 2.
- 3. Backplane
- 3a. Mains transformer
- 4. PCB with display and keyboard
- 5. Overvoltage protection filter
- 6. Mains filter
- 7. Key switch
- 8. Connector cable

- TK 000 27
- TK 000 34
- TK 000 33
- ST 05
- TK 000 19
- EGU
- ETI 39.19.160
- E 003524
- AWG 28 - 34