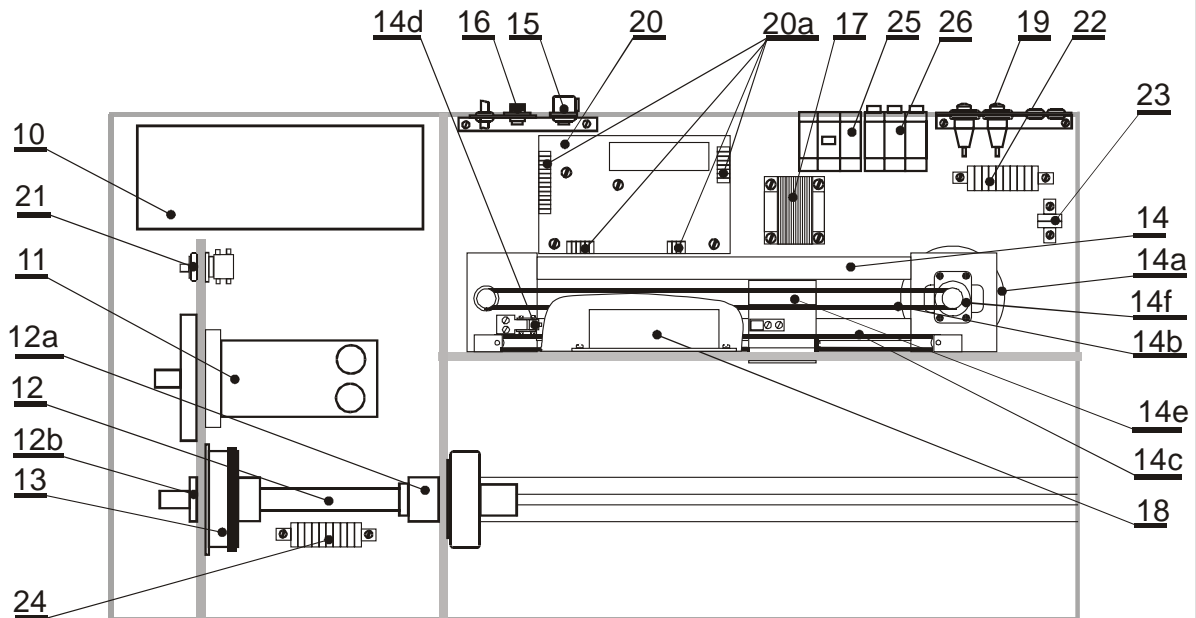




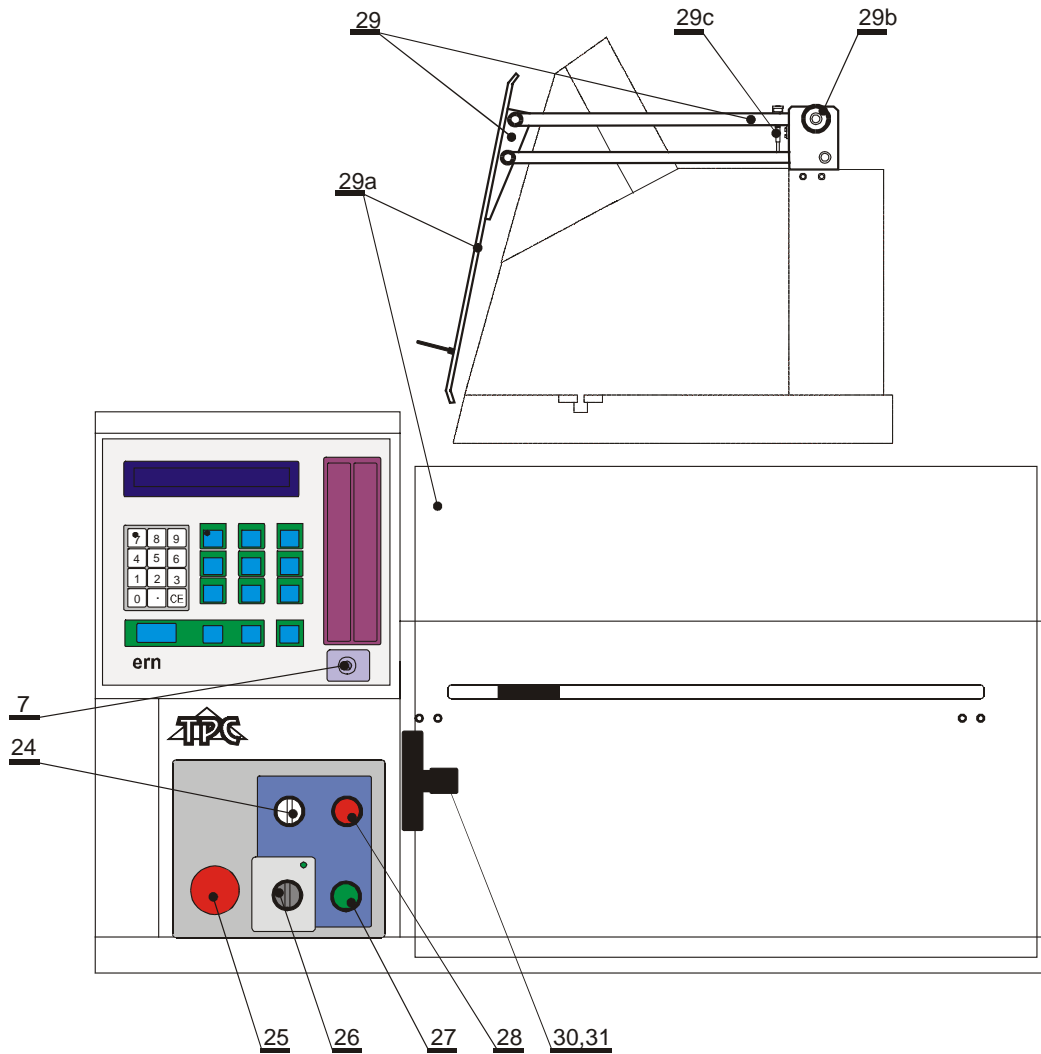
SPARE PARTS ERN 42



- | | |
|--------------------------------|---|
| 10. AC servo amplifier | Seidel digifas 7204 |
| 11. Servomotor | SBL 4 0530-30-560/TOPS 1X |
| 12. Spindle | TA 021 25 |
| 12a. Ball bearing | S6204 CTA ABC7 DUL 85N |
| 12b. Ball bearing | 6204 P66 |
| 13. Brake | Lenze 24V21W d=20H7 |
| 14. Wire guide unit | TF 000 71 |
| 14a. Step motor | Vexta PK2913-E4.0b |
| 14b. Timing belt | 198 teeth/20mm |
| 14c. Textile band | 2x20x1000 |
| 14d. Microswitch | WN 559 00 |
| 14e. Ball bearing of wagon | 608 2ZRP6 |
| 14f. Ball bearing of spindle | 6001 AZR |
| 15. Connector for foot - pedal | HARTING |
| 16. Connector for aux.function | WK 462 48 |
| 17. Mains transformer | ST 01/03 |
| 18. Mains filter | RWMO L 0063U22 |
| 19. Fuse case | SI-HA 125000 |
| 20. Stepper motor driver | TK 000 30 |
| 20a. Connector | BLA4, BLA6, BLA8, BLA14,
SLA4, SLA6, SLA8, SLA14 |
| 21. Gear switch | T10 B BI P |
| 22. Connector | TA 022 95 |
| 23. Connector | TA 021 95 |
| 24. Connector | TA 022 96 |
| 25. Contactor | Z7CH230/25/4S |
| 26. a. c. circuit breaker | L7-6/3/C |



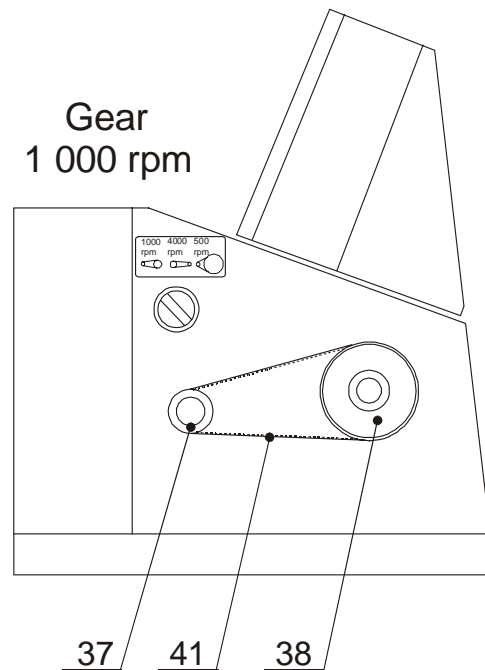
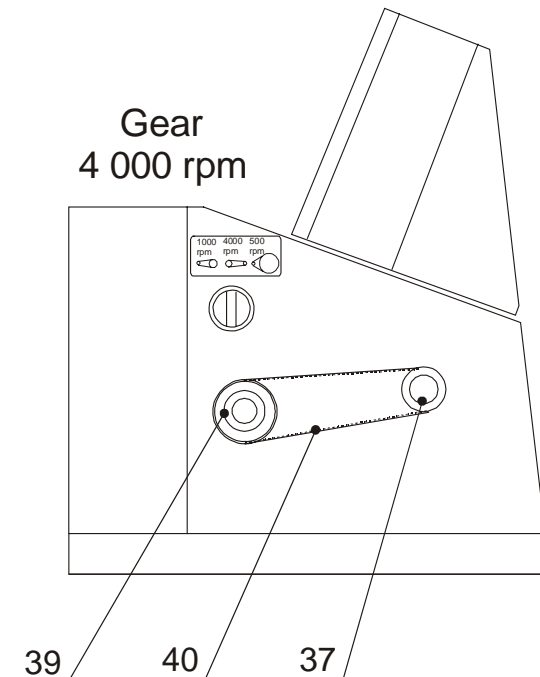
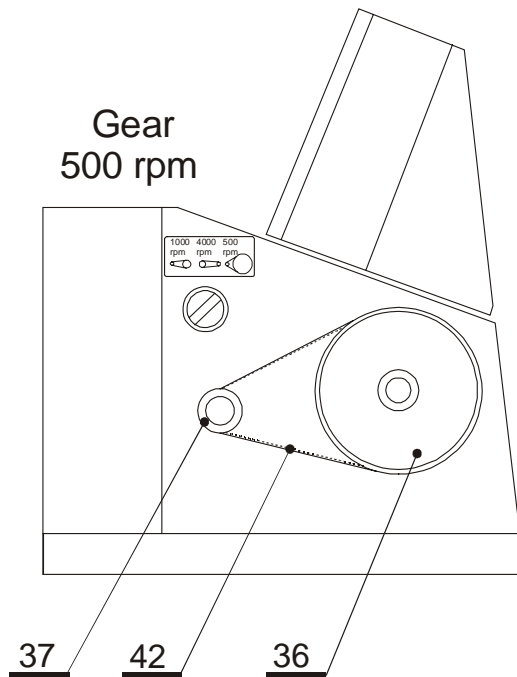
SPARE PARTS ERN 42



- | | |
|--|------------|
| 7. Key switch | KS 402 |
| 24. Brake switch | ZB2-BK127 |
| 25. Emergency stop | XB2-BS 542 |
| 26. Stand - by switch | XB-BD21 |
| 27. Start - button | 14.435.036 |
| 28. Stop - button | 14.435.036 |
| 29. Protection shield | TF 001 09 |
| 29a. Shield | TA 018 64 |
| 29b. Spring | No 14 |
| 29c. Magnetic switch | TA 022 82 |
| 30. Spindle collet chuck \varnothing 18 mm | TA 013 24 |
| 31. Nut | TA 011 77 |



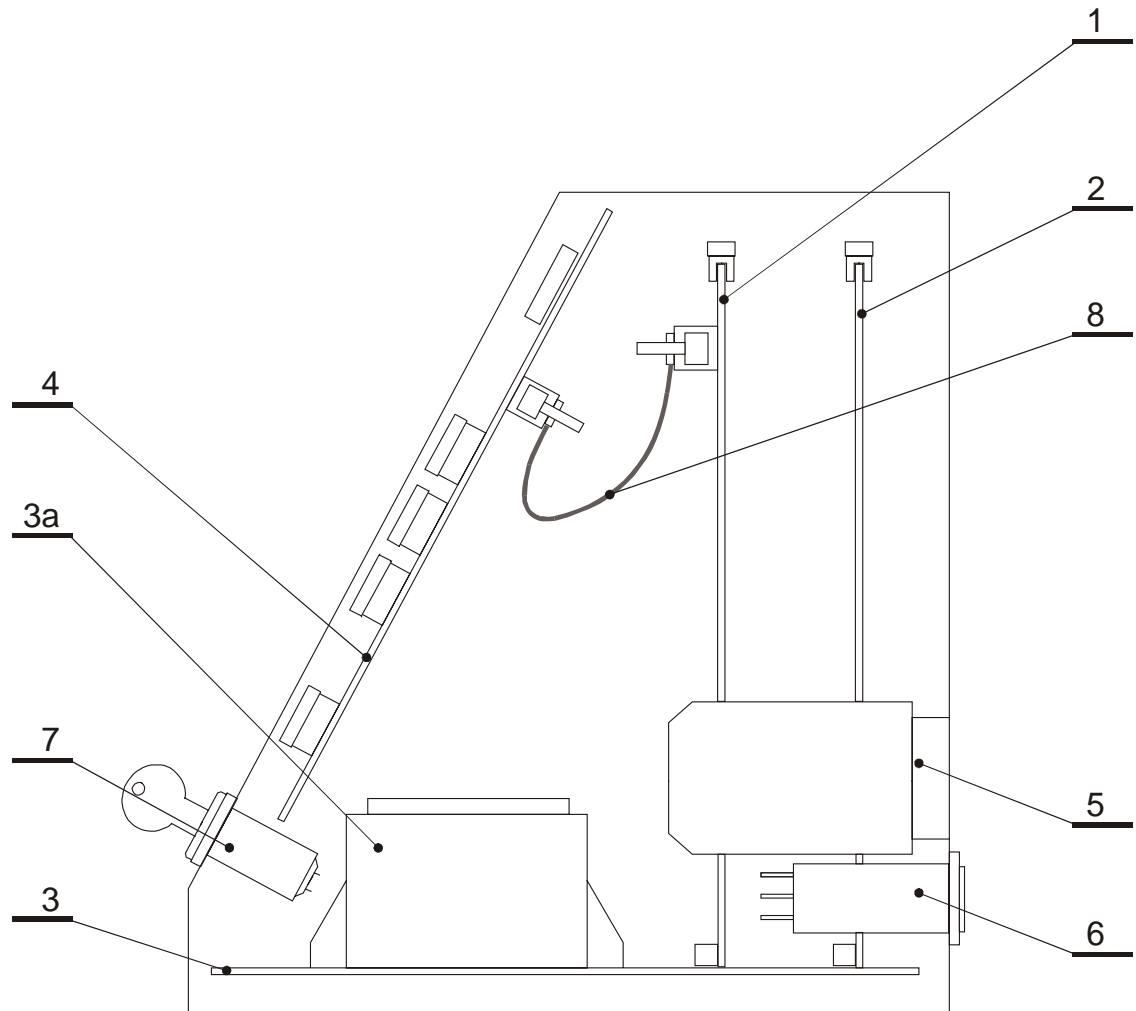
SPARE PARTS ERN 42



- 36. Timing gear TA 008 23 / 100 teeth /
- 37. Timing gear TA 008 26 / 20 teeth /
- 38. Timing gear TA 008 24 / 50 teeth /
- 39. Timing gear TA 008 25 / 32 teeth /
- 40. Timing belt 042 019 / 100 teeth/19mm /
- 41. Timing belt 042 040 / 100 teeth/40mm /
- 42. Timing belt 046 040 / 138 teeth/40mm /



SPARE PARTS ERN 42



- | | |
|----------------------------------|---------------|
| 1. PCB 1. | TK 000 27 |
| 2. PCB 2. | TK 000 34 |
| 3. Backplane | TK 000 33 |
| 3a. Mains transformer | ST 05 |
| 4. PCB with display and keyboard | TK 000 19 |
| 5. Overvoltage protection filter | EGU |
| 6. Mains filter | ETI 39.19.160 |
| 7. Key switch | E 003524 |
| 8. Connector cable | AWG 28 - 34 |