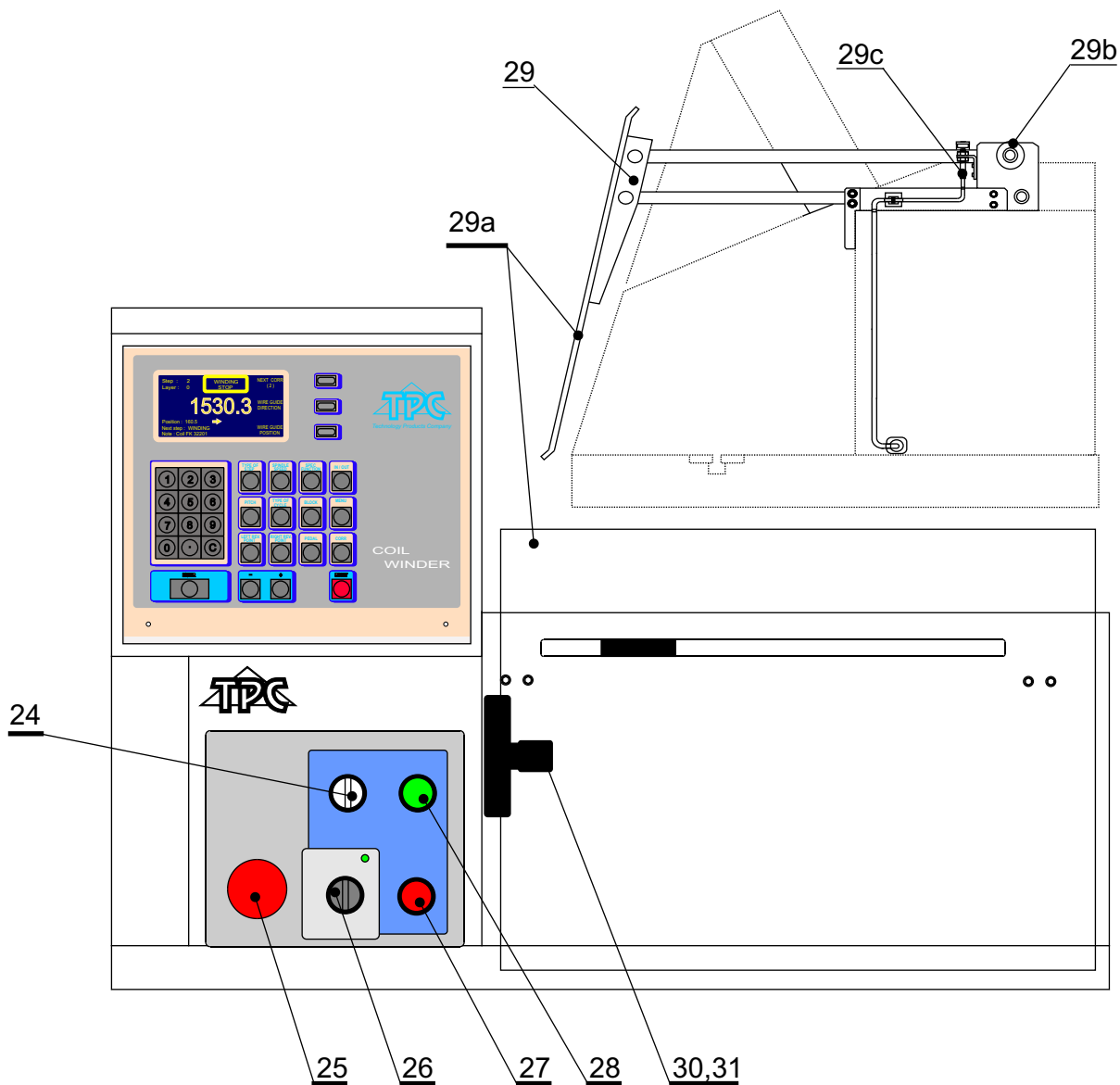




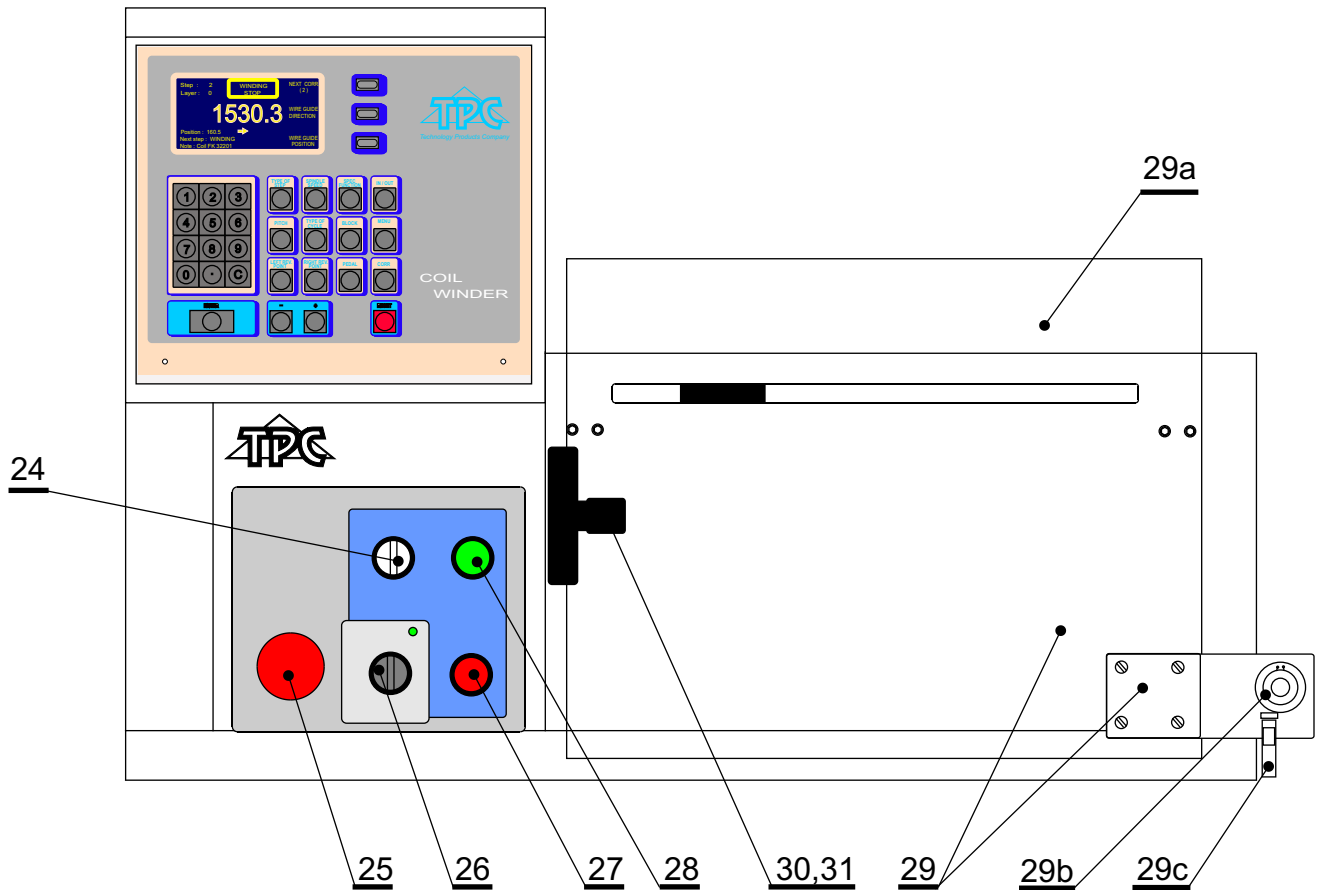
# SPARE PARTS ERN 32G



- |  |           |
|--|-----------|
| 24. Brake switch                             | TA 048 75 |
| 25. Emergency stop                           | TA 048 71 |
| 26. Stand - by switch                        | TA 048 73 |
| 27. Stop - button                            | TA 026 42 |
| 28. Start - button                           | TA 026 41 |
| 29. Protection shield                        | TF 000 95 |
| 29a. Shield                                  | TA 021 42 |
| 29b. Spring                                  | No 12     |
| 29c. Magnetic switch                         | TA 048 77 |
| 30. Spindle collet chuck $\varnothing$ 10 mm | TA 013 23 |
| Spindle collet chuck $\varnothing$ 12mm      | TA 007 31 |
| 31. Nut                                      | TA 007 37 |



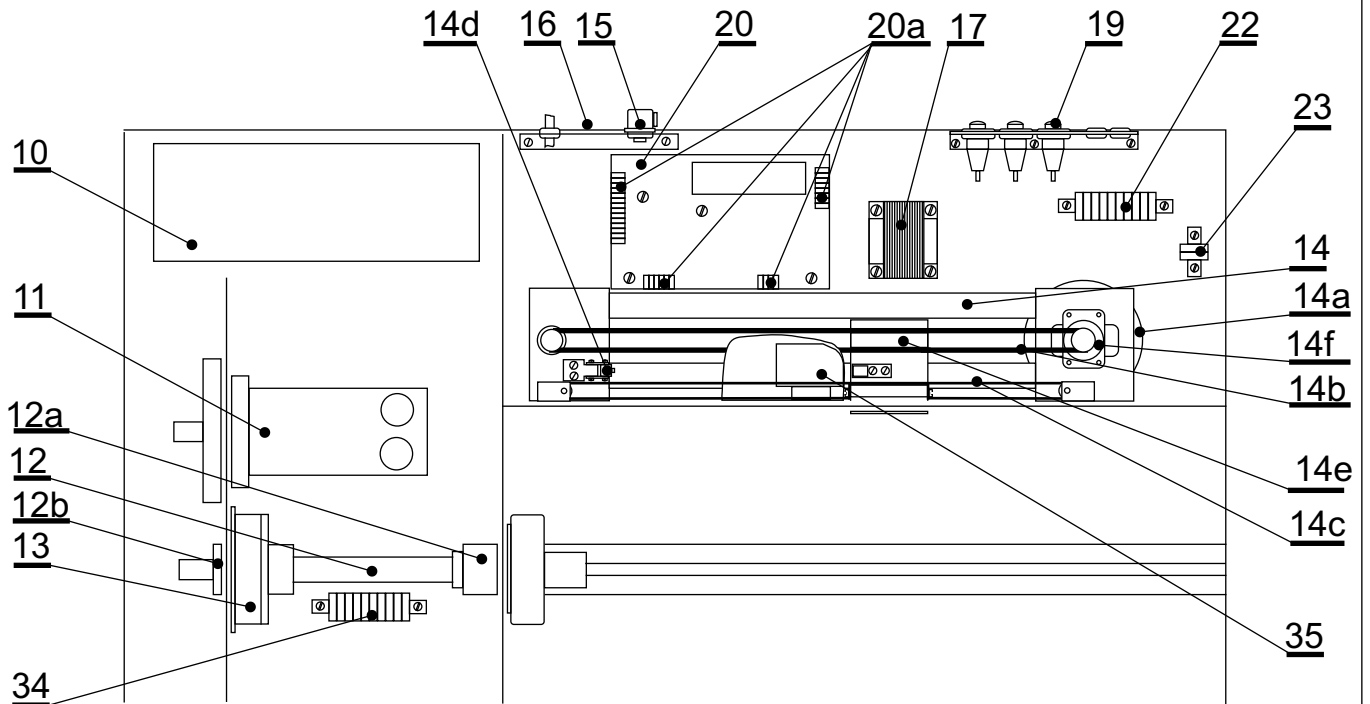
# SPARE PARTS ERN 32G



- |  |           |
|--|-----------|
| 24. Brake switch                             | TA 048 75 |
| 25. Emergency stop                           | TA 048 71 |
| 26. Stand-by switch                          | TA 048 73 |
| 27. Stop - button                            | TA 026 42 |
| 28. Start - button                           | TA 026 41 |
| 29. Protection shield                        | TF 001 12 |
| 29a. Shield                                  | TA 023 08 |
| 29b. Spring                                  | TA 009 62 |
| 29c. Magnetic switch                         | TA 026 36 |
| 30. Spindle collet chuck $\varnothing$ 10 mm | TA 013 23 |
| Spindle collet chuck $\varnothing$ 12 mm     | TA 007 31 |
| 31. Nut                                      | TA 007 37 |



# SPARE PARTS ERN 32G

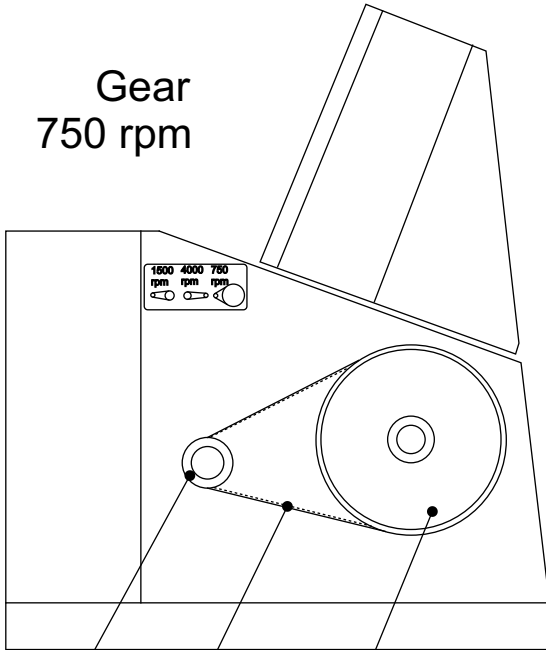


- |                              |   |
|------------------------------|---|
| 10. AC servo amplifier       | SERVOSTAR 306                                       |
| 11. Servomotor               | TGT3 -0250 - 45 - 320/TOPS1                         |
| 12. Spindle                  | TA 07 30  |
| 12a. Ball bearing            | S6204 CTA ABC7 DUL 85N                              |
| 12b. Ball bearing            | 6204 P66  |
| 13. Brake                    | Lenze 24V21W d=20H7                                 |
| 14. Wire guide unit          | TF 000 52   |
| 14a. Step motor              | Vexta PK2913-E4.0b                                  |
| 14b. Timing belt             | 198 teeth/20mm                                      |
| 14c. Textile band            | 2x20x1000   |
| 14d. Microswitch             | WN 559 00   |
| 14e. Ball bearing of wagon   | 608 2ZRP6   |
| 14f. Ball bearing of spindle | 6001 AZR  |
| 15. Connector for foot-pedal | TA 026 44   |
| 17. Mains transformer        | ST 01/03  |
| 19. Fuse case                | SI-HA 125000  |
| 20. Stepper motor driver     | TK 000 30   |
| 20a. Connector               | BLA4, BLA6, BLA8, BLA14,<br>SLA4, SLA6, SLA8, SLA14 |
| 22. Connector                | TA 026 72   |
| 23. Connector                | TA 021 95   |
| 34. Connector                | TA 048 69   |
| 35. Relay                    | RSI-20-20-A230                                      |



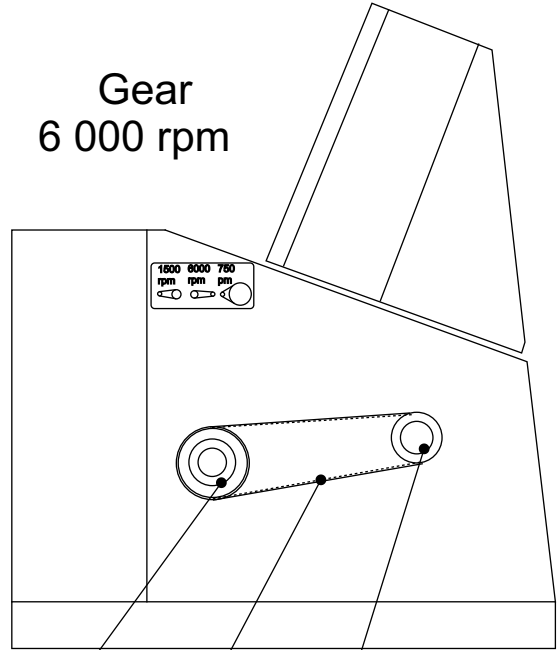
# SPARE PARTS ERN 32G

Gear  
750 rpm



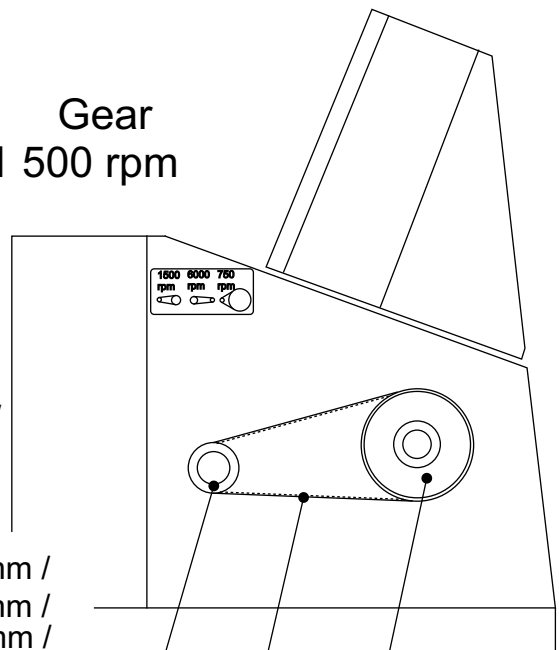
37    42    36

Gear  
6 000 rpm



39    40    37

Gear  
1 500 rpm

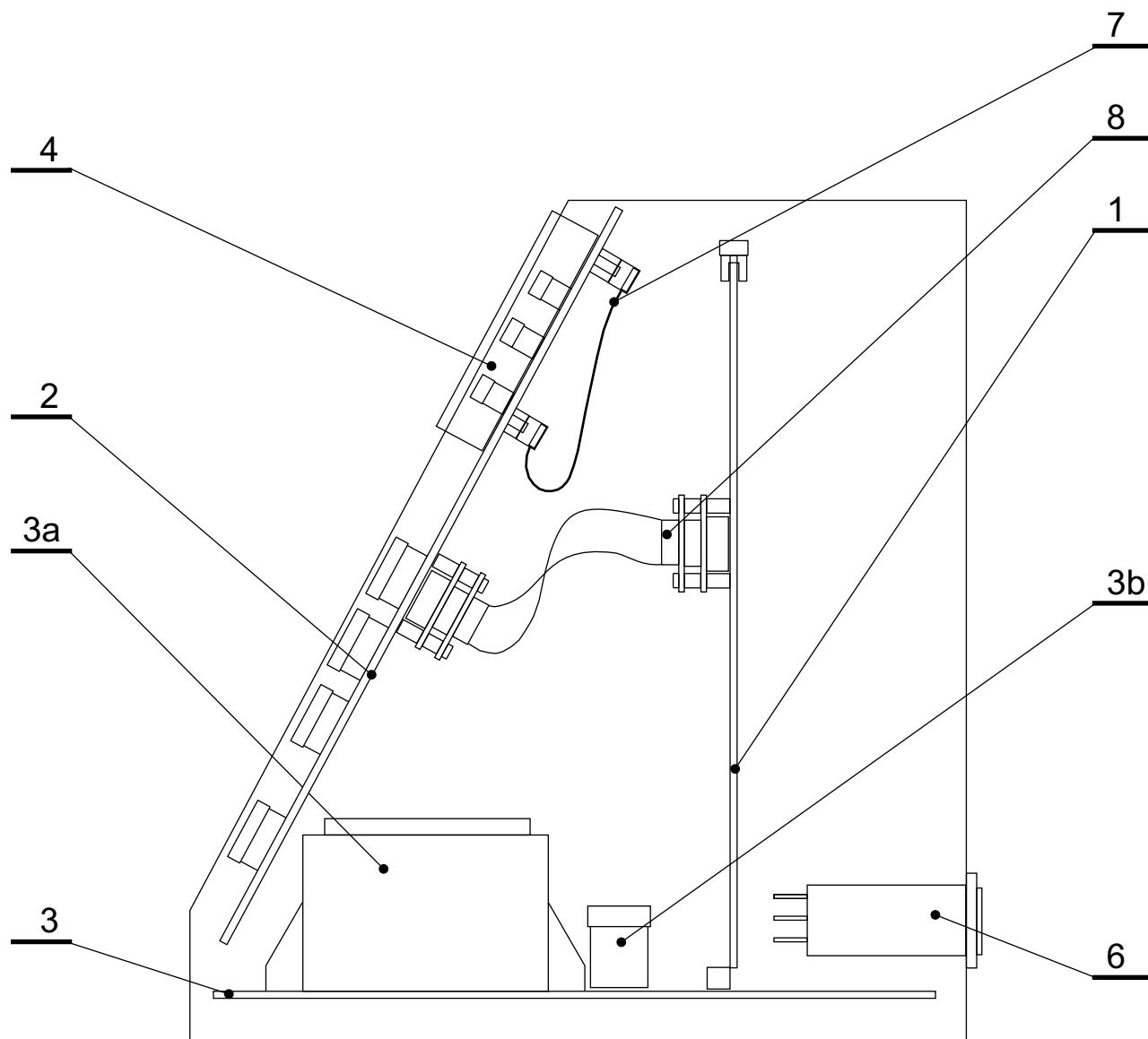


37    41    38

- 36. Timing gear TA 007 29 / 100 teeth /
- 37. Timing gear TA 007 26 / 20 teeth /
- 38. Timing gear TA 007 28 / 50 teeth /
- 39. Timing gear TA 007 27 / 32 teeth /
- 40. Timing belt 042 012 / 100 teeth/12mm /
- 41. Timing belt 042 019 / 100 teeth/19mm /
- 42. Timing belt 046 019 / 138 teeth/19mm /



# SPARE PARTS ERN 32G



- 1. PCB 1.
- 2. PCB with keyboard
- 3. Backplane
- 3a. Mains transformer
- 3b. Fuse for BLUE TOOTH adapter
- 4. Display
- 6. Mains filter
- 7. Connector cable - display
- 8. Connector cable -RS 232

- TK 000 50 - 52
- TK 000 60 - 01
- TK 000 51 -04
- TRZ 007/ST 39 - 01
- 160 mA/250V
- PLANAR EL.240.128.45
- ETI 39.19.160
- TA 032 00
- TA 032 01