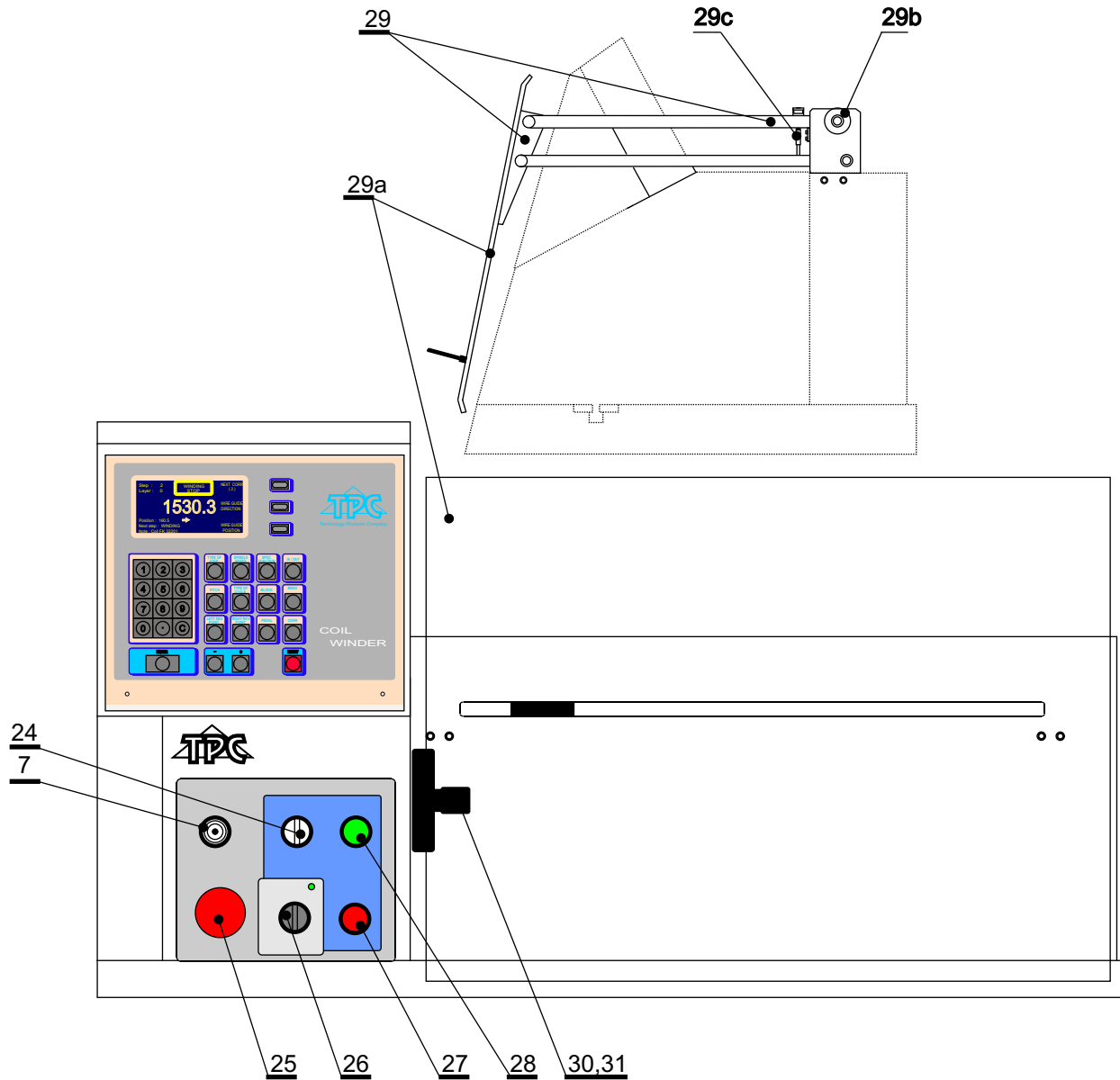




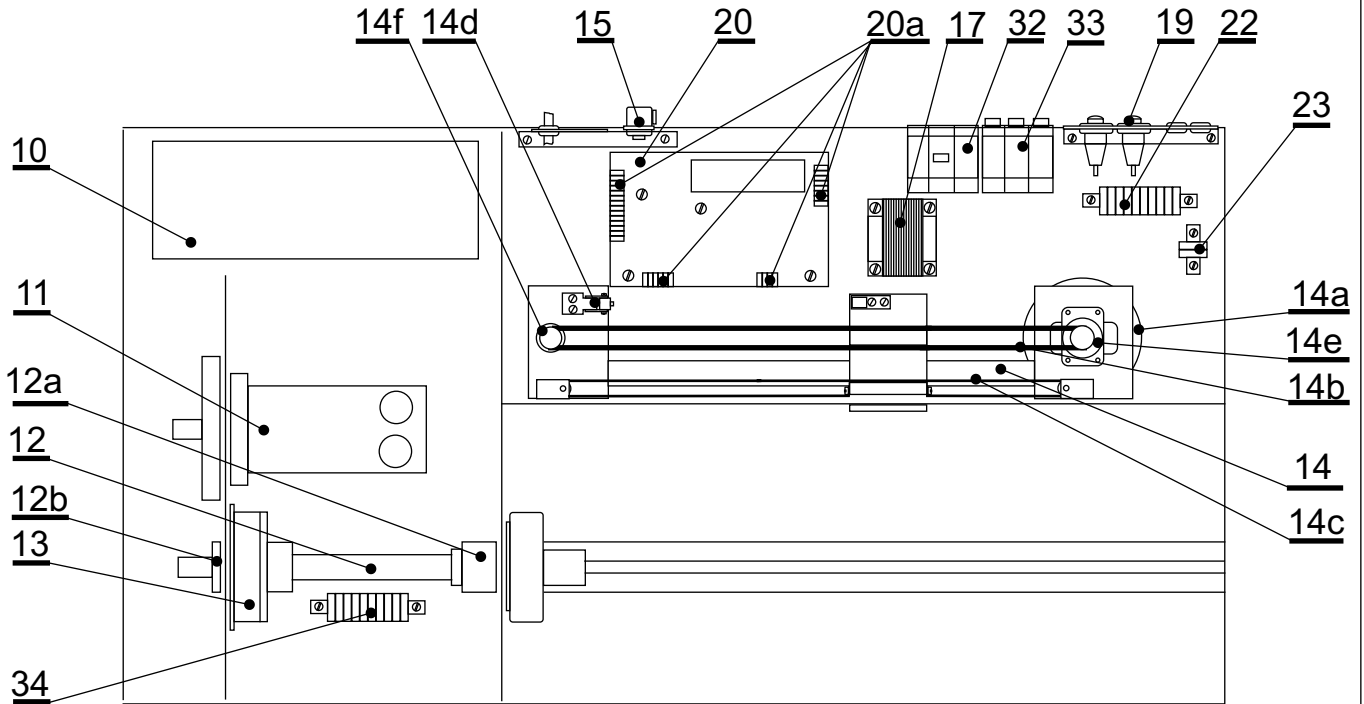
SPARE PARTS ERN 52G



- | | | |
|------|--|-----------|
| 7. | Joystick | TA 048 76 |
| 24. | Brake switch | TA 048 75 |
| 25. | Emergency stop | TA 048 71 |
| 26. | Stand - by switch | TA 048 73 |
| 27. | Stop - button | TA 026 42 |
| 28. | Start - button | TA 026 41 |
| 29. | Protection shield | TF 001 09 |
| 29a. | Shield | TA 021 92 |
| 29b. | Spring | No 14 |
| 29c. | Magnetic switch | TA 048 77 |
| 30. | Spindle collet chuck \varnothing 18 mm | TA 013 24 |
| 31. | Nut | TA 011 77 |



SPARE PARTS ERN 52G



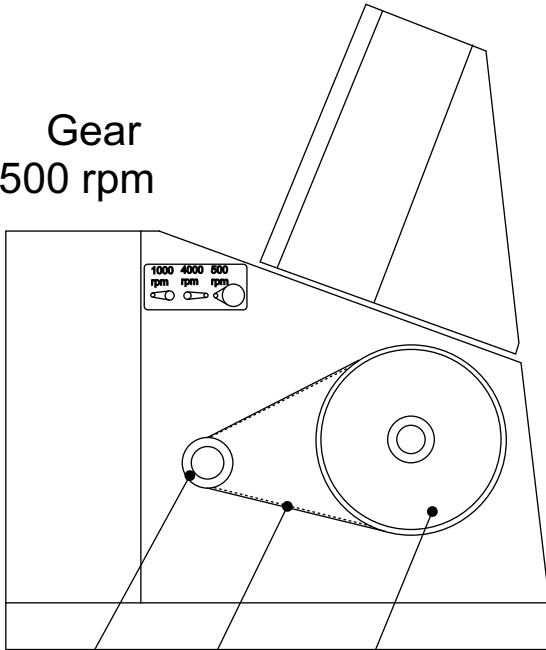
- 10. AC servo amplifier
- 11. Servomotor
- 12. Spindle
- 12a. Ball bearing
- 12b. Ball bearing
- 13. Brake
- 14. Wire guide unit
- 14a. Step motor
- 14b. Timing belt
- 14c. Textile band
- 14d. Microswitch
- 14e. Ball bearing
- 14f. Ball bearing
- 15. Connector for foot - pedal
- 17. Mains transformer
- 19. Fuse case
- 20. Stepper motor driver
- 20a. Connector
- 22. Connector
- 23. Connector
- 32. Relay
- 33. A. C. circuit breaker
- 34. Connector

- SERVOSTAR 346
- TGH 4-0780-25
- TA 021 25
- S6207 CTA ABC7 DUL 85N
- 6204 P66
- Lenze 24V21W d=20H7
- TF 001 33
- Vexta PK2913-E4.0b
- 20T5-263 teeth/20mm
- 2x20x1400
- WN 559 00
- 6002 AZR
- 6001 AZR
- TA 026 44
- ST 01/03
- SI-HA 125000
- TK 000 30
- BLA4, BLA6, BLA8, BLA14,
- SLA4, SLA6, SLA8, SLA14
- TA 022 95
- TA 021 95
- RSI-25-40-A230
- LPN-6C-3
- TA 048 66



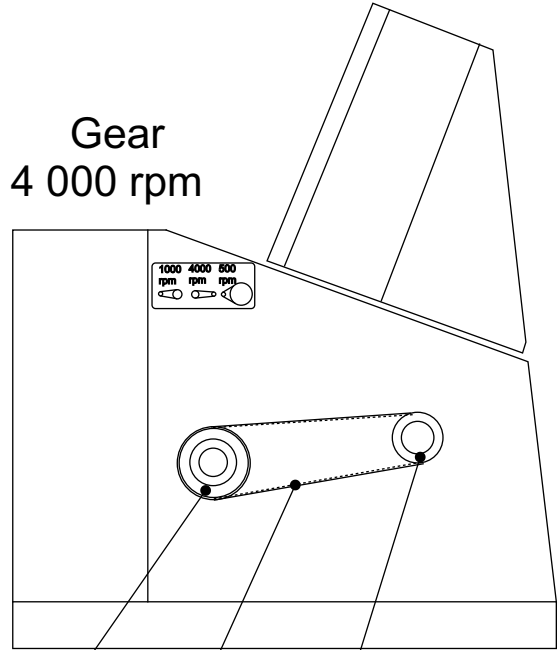
SPARE PARTS ERN 52G

Gear
500 rpm



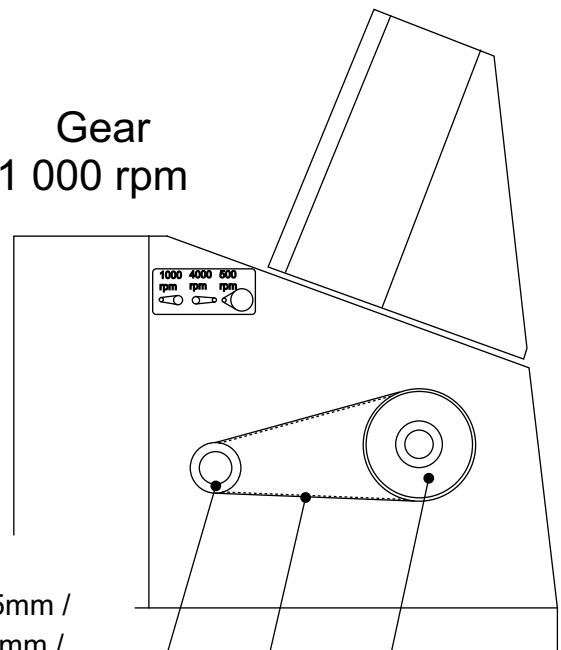
37 42 36

Gear
4 000 rpm



39 41 37

Gear
1 000 rpm

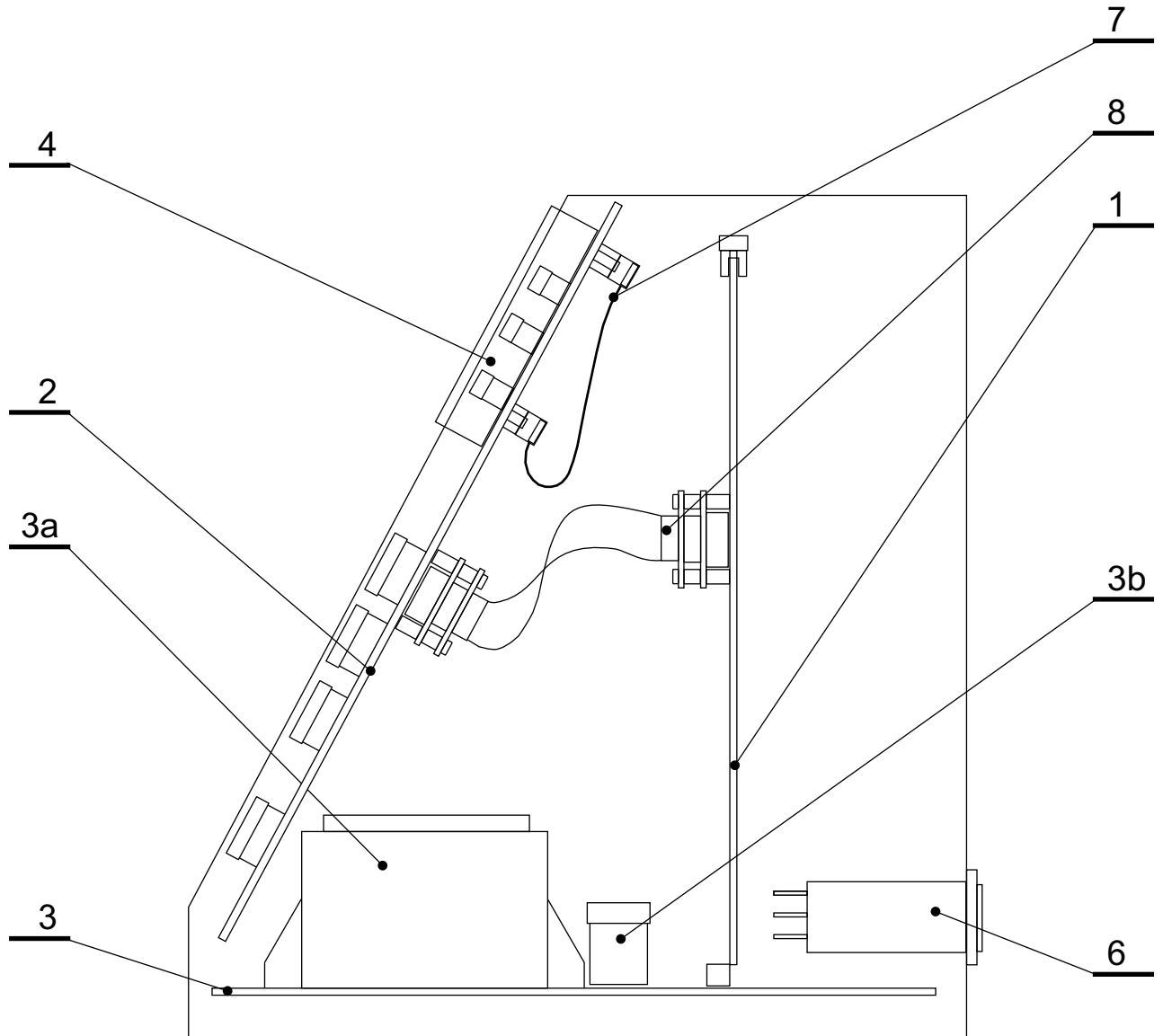


37 41 38

- 36. Timing gear TA 045 04 / 100 teeth /
- 37. Timing gear TA 045 02 / 20 teeth /
- 38. Timing gear TA 045 01 / 50 teeth /
- 39. Timing gear TA 045 03 / 32 teeth /
- 41. Timing belt 5MR-500-25 / 100 teeth./25mm /
- 42. Timing belt 5MR-650-25/ 130 teeth./25mm /



SPARE PARTS ERN 52G



- 1. PCB 1.
- 2. PCB with keyboard
- 3. Backplane
- 3a. Mains transformer
- 3b. Fuse for bluetooth adapter
- 4. Display
- 6. Mains filter
- 7. Connector cable - display
- 8. Connector cable -RS 232

- TK 000 50 - 02
- TK 000 60 - 01
- TK 000 51 -04
- TRZ 007/ST 39 - 01
- 160mA/250V
- PLANAR EL.240.128.45
- ETI 39.19.160
- TA 032 00
- TA 032 01